



Jongen Werkzeugtechnik



**SPECIAL
OFFER**

STEP MILLING CUTTERS

Products from



Willich



North-Rhine
Westphalia



Germany



Europe

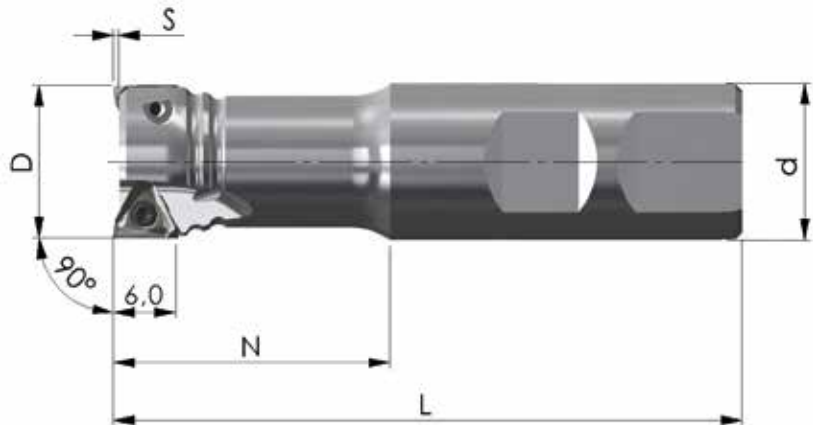


Europe

and the



SPECIAL OFFER AUTUMN / WINTER 2022 - STEP MILLING CUTTER B32



SET OF TOOLS

SET 2022-31

Article code	D	L	d	N	S	Z	List price
90PP-25-25-B32-3	25	100	25	43	1,0	3	269,- €
90PP-32-25-B32-4	32	100	25	43	1,0	4	310,- €

List price: 579,- € - Special price for this set: **299,- €**



SET OF TOOLS WITH INSERTS

SET 2022-31A

Article code	D	L	d	N	S	Z	List price
90PP-25-25-B32-3	25	100	25	43	1,0	3	269,- €
10 pieces (1 packaging unit) JMB32-713HR05-.. freely selectable quality (XC35 & K15M excluded)							162,- €

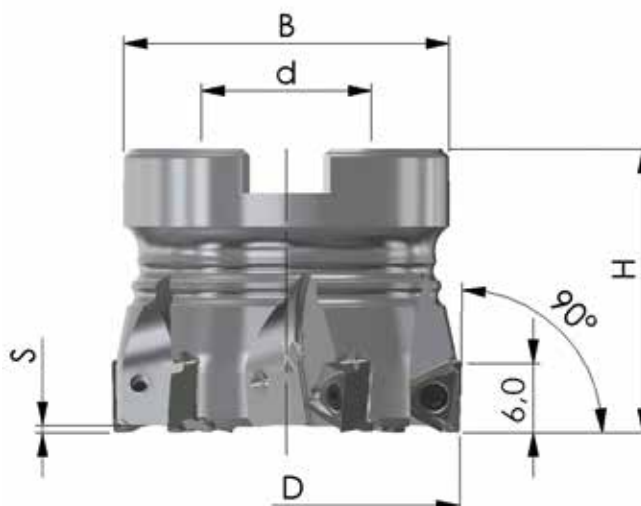
List price: 431,- € - Special price for this set: **249,- €**

SET 2022-31B

Article code	D	L	d	N	S	Z	List price
90PP-32-25-B32-4	32	100	25	43	1,0	4	310,- €
10 pieces (1 packaging unit) JMB32-713HR05-.. freely selectable quality (XC35 & K15M excluded)							162,- €

List price: 472,- € - Special price for this set: **277,- €**

SPECIAL OFFER AUTUMN / WINTER 2022 - STEP MILLING CUTTER B32



SET OF TOOLS

SET 2022-32							
Article code	D	H	d H6	B	S	Z	List price
90PP-040-B32-4	40	40	16	38	1,0	4	349,- €
90PP-050-B32-5	50	40	22	46	1,0	5	353,- €
90PP-063-B32-5	63	40	22	46	1,0	5	357,- €

List price: 1.059,- € - Special price for this set: **439,- €**



SET OF TOOLS WITH INSERTS

SET 2022-32A							
Article code	D	H	d H6	B	S	Z	List price
90PP-040-B32-4	40	40	16	38	1,0	4	349,- €
10 pieces (1 packaging unit) JMB32-713HR05... freely selectable quality (XC35 & K15M excluded)							162,- €

List price: 511,- € - Special price for this set: **259,- €**

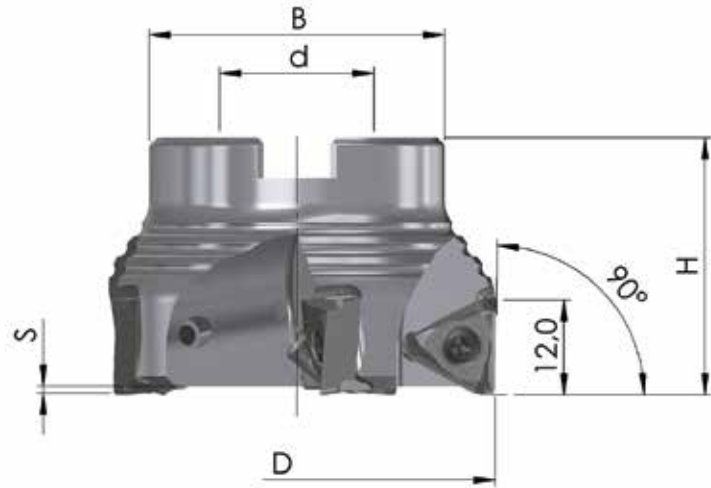
SET 2022-32B							
Article code	D	H	d H6	B	S	Z	List price
90PP-050-B32-5	50	40	22	46	1,0	5	353,- €
10 pieces (1 packaging unit) JMB32-713HR05... freely selectable quality (XC35 & K15M excluded)							162,- €

List price: 515,- € - Special price for this set: **285,- €**

SET 2022-32C							
Article code	D	H	d H6	B	S	Z	List price
90PP-063-B32-5	63	40	22	46	1,0	5	357,- €
10 pieces (1 packaging unit) JMB32-713HR05... freely selectable quality (XC35 & K15M excluded)							162,- €

List price: 519,- € - Special price for this set: **289,- €**

SPECIAL OFFER AUTUMN / WINTER 2022 - STEP MILLING CUTTER B31



SET OF TOOLS

SET 2022-33							
Article code	D	H	d	B	S	Z	List price
90PP-050-723-5	50	40	22	46	1,3	5	358,- €
90PP-063-723-5	63	40	22	46	1,3	5	369,- €
90PP-080-723-7	80	50	27	58	1,3	7	486,- €

List price: 1.213,- € - Special price for this set: **582,- €**



SET OF TOOLS WITH INSERTS

SET 2022-33A							
Article code	D	H	d	B	S	Z	List price
90PP-050-723-5	50	40	22	46	1,3	5	358,- €
10 pieces (1 packaging unit) JMB31-723R08-.. freely selectable quality (XC35 & K15M excluded)							197,- €

List price: 555,- € - Special price for this set: **322,- €**

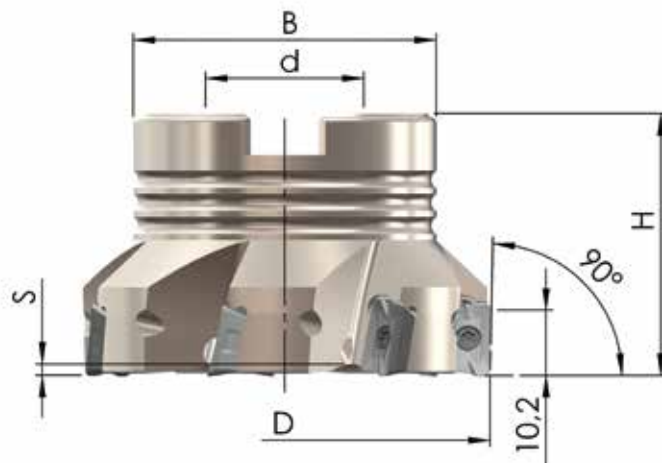
SET 2022-33B							
Article code	D	H	d	B	S	Z	List price
90PP-063-723-5	63	40	22	46	1,3	5	369,- €
10 pieces (1 packaging unit) JMB31-723R08-.. freely selectable quality (XC35 & K15M excluded)							197,- €

List price: 566,- € - Special price for this set: **314,- €**

SET 2022-33C							
Article code	D	H	d	B	S	Z	List price
90PP-080-723-7	80	50	27	58	1,3	7	486,- €
10 pieces (1 packaging unit) JMB31-723R08-.. freely selectable quality (XC35 & K15M excluded)							197,- €

List price: 683,- € - Special price for this set: **359,- €**

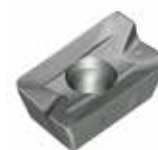
SPECIAL OFFER AUTUMN / WINTER 2022 - STEP MILLING CUTTER B17



SET OF TOOLS

SET 2022-34							
Article code	D	H	d	B	S	Z	List price
90PP-040-75-22-5	40	40	22	38	2,0	5	280,- €
90PP-050-75-5	50	40	22	46	2,0	5	282,- €
90PP-063-75-7	63	40	22	46	2,0	7	325,- €

List price: 887,- € - Special price for this set: **302,- €**



SET OF TOOLS WITH INSERTS

SET 2022-34A							
Article code	D	H	d	B	S	Z	List price
90PP-040-75-22-5	40	40	22	38	2,0	5	280,- €
20 pieces (1 packaging unit) JMB17-75 or JMB17-275-.. freely selectable quality							208,- €

List price: 488,- € - Special price for this set: **239,- €**

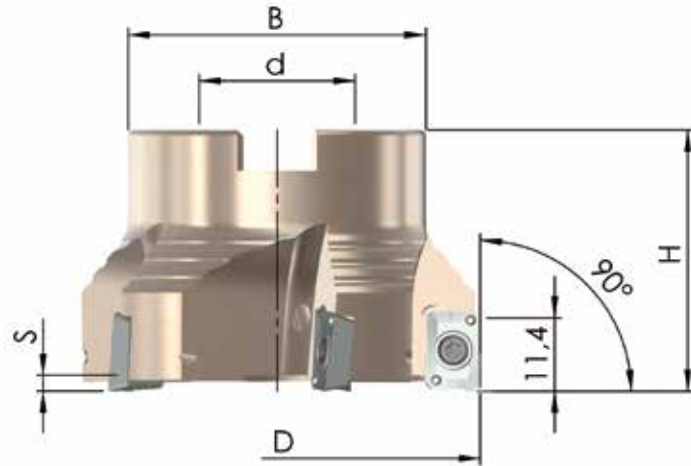
SET 2022-34B							
Article code	D	H	d	B	S	Z	List price
90PP-050-75-5	50	40	22	46	2,0	5	282,- €
20 pieces (1 packaging unit) JMB17-75 or JMB17-275-.. freely selectable quality							208,- €

List price: 490,- € - Special price for this set: **241,- €**

SET 2022-34C							
Article code	D	H	d	B	S	Z	List price
90PP-063-75-7	63	40	22	46	2,0	7	325,- €
20 pieces (1 packaging unit) JMB17-75 or JMB17-275-.. freely selectable quality							208,- €

List price: 533,- € - Special price for this set: **259,- €**

SPECIAL OFFER AUTUMN / WINTER 2022 - STEP MILLING CUTTER B13



SET OF TOOLS

SET 2022-35							
Article code	D	H	d	B	S	Z	List price
90PP-050-77-5	50	40	22	46	1,9	5	291,- €
90PP-063-77-5	63	40	22	46	1,9	5	310,- €
90PP-080-77-6	80	50	27	58	1,9	6	379,- €

List price: 980,- € - Special price for this set: **315,- €**



SET OF TOOLS WITH INSERTS

SET 2022-35A							
Article code	D	H	d	B	S	Z	List price
90PP-050-77-5	50	40	22	46	1,9	5	291,- €
20 pieces (1 packaging unit) JMB13-77..., JMB13-78..., JMB13-277 or JMB13-278.. freely selectable quality							201,- €

List price: 492,- € - Special price for this set: **222,- €**

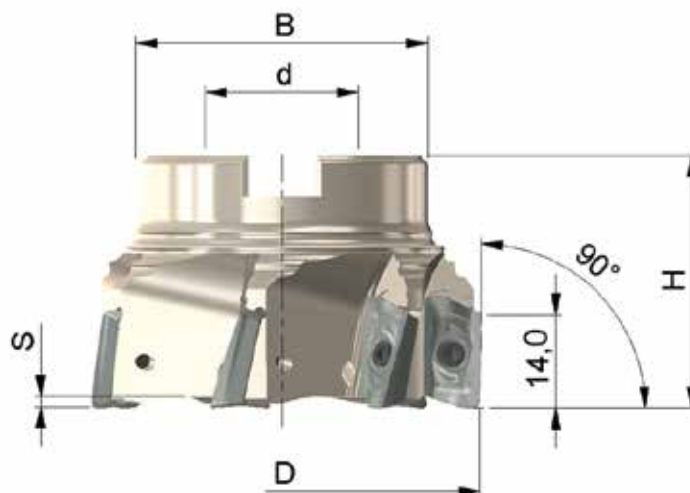
SET 2022-35B							
Article code	D	H	d	B	S	Z	List price
90PP-063-77-5	63	40	22	46	1,9	5	310,- €
20 pieces (1 packaging unit) JMB13-77..., JMB13-78..., JMB13-277 or JMB13-278.. freely selectable quality							201,- €

List price: 511,- € - Special price for this set: **250,- €**

SET 2022-35C							
Article code	D	H	d	B	S	Z	List price
90PP-080-77-6	80	50	27	58	1,9	6	379,- €
20 pieces (1 packaging unit) JMB13-77..., JMB13-78..., JMB13-277 or JMB13-278.. freely selectable quality							201,- €

List price: 580,- € - Special price for this set: **263,- €**

SPECIAL OFFER AUTUMN / WINTER 2022 - STEP MILLING CUTTER B25



SET OF TOOLS

SET 2022-36							
Article code	D	H	d	B	S	Z	List price
90PP-050-70-5	50	40	22	46	2,0	5	277,- €
90PP-063-70-5	63	40	22	46	2,0	5	295,- €

List price: 572,- € - Special price for this set: **261,- €**



SET OF TOOLS WITH INSERTS

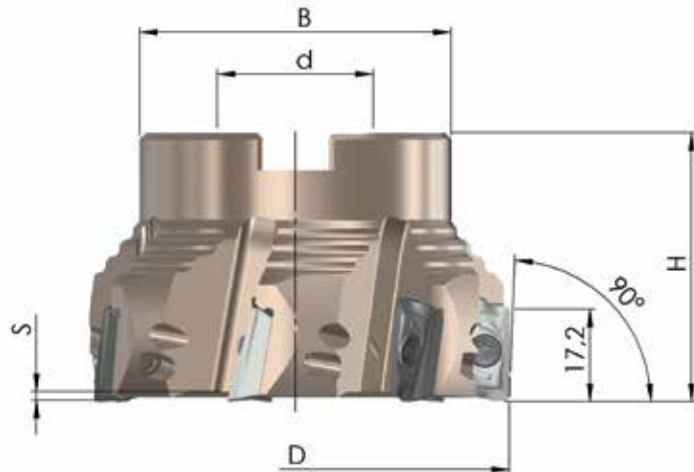
SET 2022-36A							
Article code	D	H	d	B	S	Z	List price
90PP-050-70-5	50	40	22	46	2,0	5	277,- €
10 pieces (1 packaging unit) JMB25-70H... or JMB25-70S... freely selectable quality							91,- €

List price: 368,- € - Special price for this set: **169,- €**

SET 2022-36B							
Article code	D	H	d	B	S	Z	List price
90PP-063-70-5	63	40	22	46	2,0	5	295,- €
10 pieces (1 packaging unit) JMB25-70H... or JMB25-70S... freely selectable quality							91,- €

List price: 386,- € - Special price for this set: **223,- €**

SPECIAL OFFER AUTUMN / WINTER 2022 - STEP MILLING CUTTER B18



SET OF TOOLS

SET 2022-37							
Article code	D	H	d	B	S	Z	List price
90PP-050-49-5	50	40	22	46	1,8	5	300,- €
90PP-063-49-5	63	40	22	46	1,8	5	340,- €
90PP-080-49-7	80	50	27	58	1,8	7	445,- €

List price: 1.085,- € - Special price for this set: **375,- €**



SET OF TOOLS WITH INSERTS

SET 2022-37A							
Article code	D	H	d	B	S	Z	List price
90PP-050-49-5	50	40	22	46	1,8	5	300,- €
10 pieces (1 packaging unit) JMB18-49...or JMB18-49T... freely selectable quality							118,- €

List price: 418,- € - Special price for this set: **189,- €**

SET 2022-37B							
Article code	D	H	d	B	S	Z	List price
90PP-063-49-5	63	40	22	46	1,8	5	340,- €
10 pieces (1 packaging unit) JMB18-49...or JMB18-49T... freely selectable quality							118,- €

List price: 458,- € - Special price for this set: **199,- €**

SET 2022-37C							
Article code	D	H	d	B	S	Z	List price
90PP-080-49-7	80	50	27	58	1,8	7	445,- €
10 pieces (1 packaging unit) JMB18-49...or JMB18-49T... freely selectable quality							118,- €

List price: 563,- € - Special price for this set: **239,- €**

The special offer is valid till 28.02.2023, or while stocks last.

Only complete sets for sale, as indicated in this brochure and at market usual order quantities. E&OE.