



Jongen Werkzeugtechnik

% % % % % % % % %
SPECIAL OFFER
TYPE A10



Products from  →  →  →  for  and the 

The special offer is valid till 28.02.2025, or while stocks last.
Only complete sets for sale, as indicated in this brochure and at market usual order quantities.

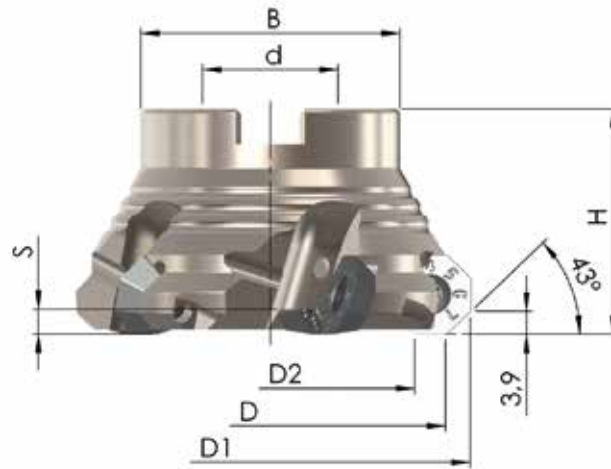
09/24

Jongen Werkzeugtechnik GmbH
Siemensring 11 · 47877 Willich · Germany
Phone: +49 2154 / 9285-2900 · Fax: +49 2154 / 9285-92900
www.jongen.de · Email: export@jongen.de





Face milling cutters A10



SET 2024-67

Article code	D	D ₁	D ₂	H	d	B	S	Z	List price
45PP-050-525-5	50	59,2	37,9	40	22	46	4,5	5	378,00 €
10 pcs. (1 packaging unit) JMA10-520- or JMA10-525-... freely selectable quality									134,00 €
List price for this set									512,00 €

%% % % % % %
 Special price
 for this set
239,- €

SET 2024-68

Article code	D	D ₁	D ₂	H	d	B	S	Z	List price
45PP-063-525-5	63	72,2	50,7	40	22	46	4,5	5	433,00 €
10 pcs. (1 packaging unit) JMA10-520- or JMA10-525-... freely selectable quality									134,00 €
List price for this set									567,00 €

%% % % % % %
 Special price
 for this set
239,- €

SET 2024-69

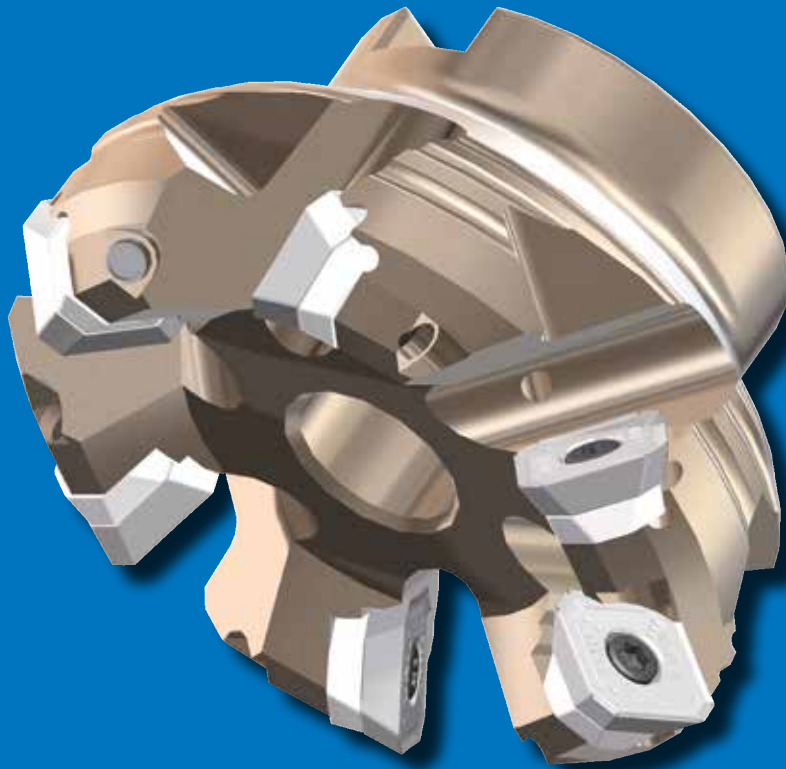
Article code	D	D ₁	D ₂	H	d	B	S	Z	List price
45PP-080-525-6	80	89,3	68,0	50	27	58	4,5	6	518,00 €
10 pcs. (1 packaging unit) JMA10-520- or JMA10-525-... freely selectable quality									134,00 €
List price for this set									652,00 €

%% % % % % %
 Special price
 for this set
289,- €



Jongen Werkzeugtechnik

**% % % % % % % % % %
SPECIAL OFFER
TYPE A13**



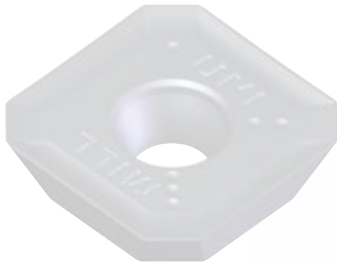
Products from  →  →  →  for  and the 

The special offer is valid till 28.02.2025, or while stocks last.
Only complete sets for sale, as indicated in this brochure and at market usual order quantities.

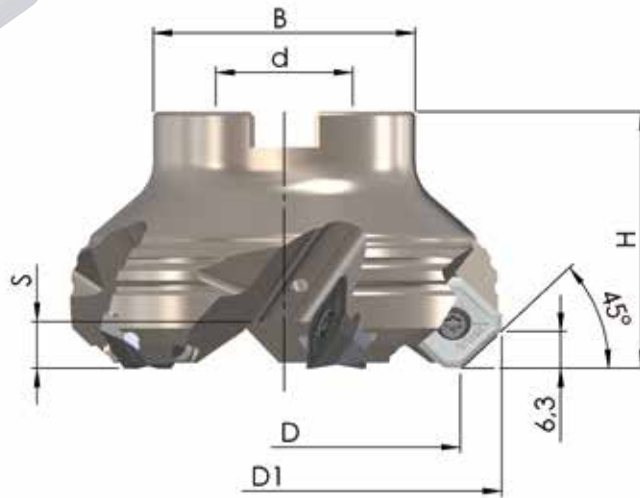
09/24

Jongen Werkzeugtechnik GmbH
Siemensring 11 · 47877 Willich · Germany
Phone: +49 2154 / 9285-2900 · Fax: +49 2154 / 9285-92900
www.jongen.de · Email: export@jongen.de





Face milling cutters A13



SET 2024-70

Article code	D	D ₁	H	D	B	S	Z	List price
45PP-063-140-5	63	76,6	45	22	46	6,3	5	530,00 €
10 pcs. (1 packaging unit) JMA13-142... or JMA13-242... freely selectable quality								131,50 €
List price for this set								661,50 €

%% % % % %
 Special price
 for this set
299,- €

SET 2024-71

Article code	D	D ₁	H	D	B	S	Z	List price
45PP-080-140-6	80	93,6	50	27	58	6,3	6	643,00 €
10 pcs. (1 packaging unit) JMA13-142... or JMA13-242... freely selectable quality								131,50 €
List price for this set								774,50 €

%% % % % %
 Special price
 for this set
319,- €

SET 2024-72

Article code	D	D ₁	H	D	B	S	Z	List price
45PP-100-140-7	100	113,6	50	32	78	6,3	7	746,00 €
10 pcs. (1 packaging unit) JMA13-142... or JMA13-242... freely selectable quality								131,50 €
List price for this set								877,50 €

%% % % % %
 Special price
 for this set
360,- €



Jongen Werkzeugtechnik

% % % % % % % % %

SPECIAL OFFER

DEBURRING MILLS TYPE B10



The special offer is valid till 28.02.2025, or while stocks last.

Only complete sets for sale, as indicated in this brochure and at market usual order quantities.

09/24

Jongen Werkzeugtechnik GmbH

Siemensring 11 · 47877 Willich · Germany

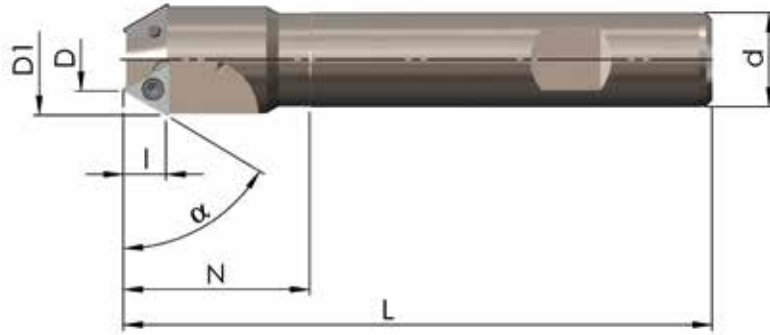
Phone: +49 2154 / 9285-2900 · Fax: +49 2154 / 9285-92900

www.jongen.de · Email: export@jongen.de





Deburring mills Type B10



SET 2024-88									
Article code	D	D ₁	α	l	N	L	d	Z	List price
EF-30-84-2	6,7	21,60	30°	4,2	52	100	16	2	218,00 €
20 pcs. (1 packaging unit) JMB10-84R... freely selectable quality									179,00 €
List price for this set									397,00 €

%% % % % % %
**Special price
 for this set**
193,- €

SET 2024-89									
Article code	D	D ₁	α	l	N	L	d	Z	List price
EF-45-84-2	7,0	18,90	45°	4,2	52	100	16	2	218,00 €
20 pcs. (1 packaging unit) JMB10-84R... freely selectable quality									179,00 €
List price for this set									397,00 €

%% % % % % %
**Special price
 for this set**
193,- €

SET 2024-90									
Article code	D	D ₁	α	l	N	L	d	Z	List price
EF-60-84-2	10,7	19,35	60°	7,3	52	100	16	2	218,00 €
20 pcs. (1 packaging unit) JMB10-84R... freely selectable quality									179,00 €
List price for this set									397,00 €


%% % % % % %
**Special price
 for this set**
193,- €



Jongen Werkzeugtechnik

SPECIAL OFFER
TYPE B17



Products from  →  →  →  for  and the 

The special offer is valid till 28.02.2025, or while stocks last.
Only complete sets for sale, as indicated in this brochure and at market usual order quantities.

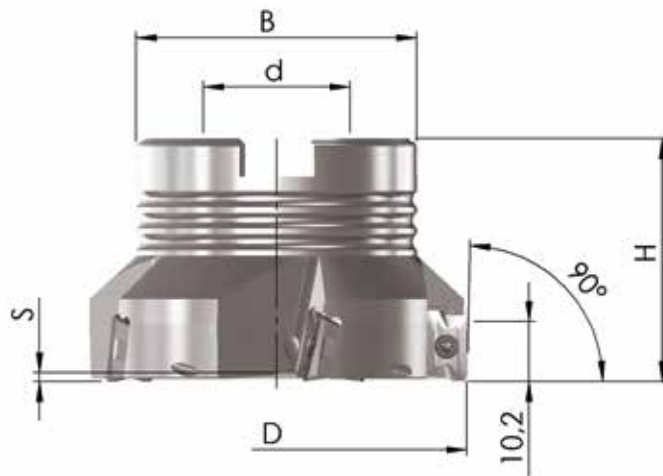
09/24

Jongen Werkzeugtechnik GmbH
Siemensring 11 · 47877 Willich · Germany
Phone: +49 2154 / 9285-2900 · Fax: +49 2154 / 9285-92900
www.jongen.de · Email: export@jongen.de





Step milling cutters B17



SET 2024-73							
Article code	D	H	d	B	S	Z	List price
90PP-040-75-22-5	40	40	22	38	2,0	5	321,00 €
20 pcs. (1 packaging unit) JMB17-75... or JMB17-275... freely selectable quality							238,00 €
List price of this set							559,00 €

%% % % % % % %
 Special price
 for this set
251,- €

SET 2024-74							
Article code	D	H	d	B	S	Z	List price
90PP-050-75-5	50	40	22	46	2,0	5	323,00 €
20 pcs. (1 packaging unit) JMB17-75... or JMB17-275... freely selectable quality							238,00 €
List price of this set							561,00 €

%% % % % % % %
 Special price
 for this set
251,- €

SET 2024-75							
Article code	D	H	d	B	S	Z	List price
90PP-063-75-7	63	40	22	46	2,0	7	373,00 €
20 pcs. (1 packaging unit) JMB17-75... or JMB17-275... freely selectable quality							238,00 €
List price of this set							611,00 €

%% % % % % % %
 Special price
 for this set
282,- €





Jongen Werkzeugtechnik

SPECIAL OFFER
TYPE B25



Products from



Willich



North-Rhine
Westphalia



Germany



Europe

for



Europe

and the



The special offer is valid till 28.02.2025, or while stocks last.

Only complete sets for sale, as indicated in this brochure and at market usual order quantities.

09/24

Jongen Werkzeugtechnik GmbH

Siemensring 11 · 47877 Willich · Germany

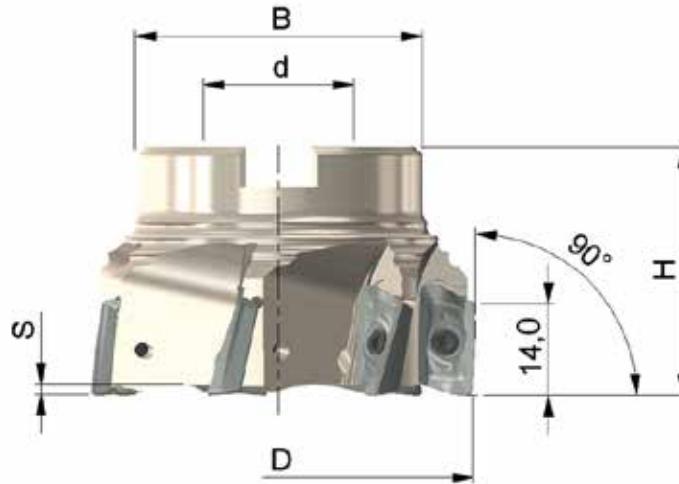
Phone: +49 2154 / 9285-2900 · Fax: +49 2154 / 9285-92900

www.jongen.de · Email: export@jongen.de





Step milling cutters B25



SET 2024-76

Article code	D	H	d	B	S	Z	List price
90PP-050-70-5	50	40	22	46	2,0	5	318,00 €
10 pcs. (1 packaging unit) JMB25-70S... or JMB25-70H... freely selectable quality							104,50 €
List price for this set							422,50 €

%% % % % % %
**Special price
 for this set**
199,- €

SET 2024-77

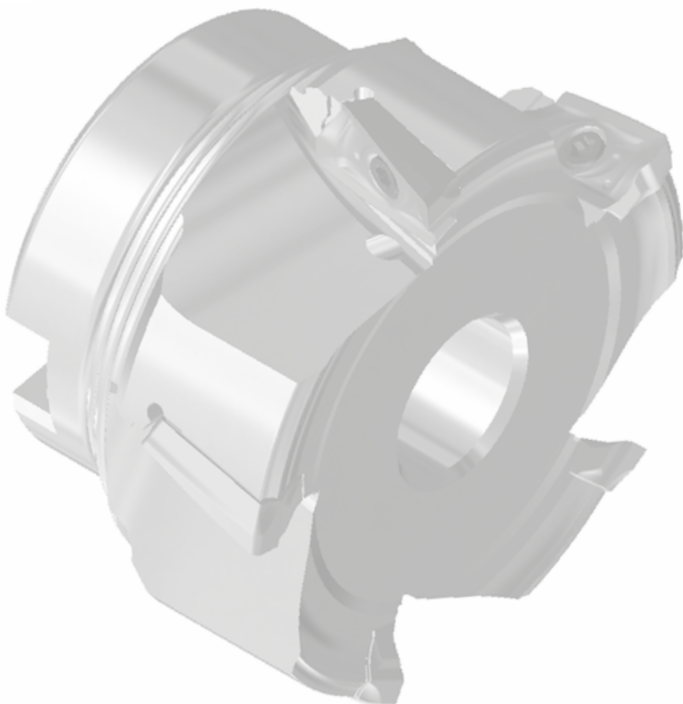
Article code	D	H	d	B	S	Z	List price
90PP-063-70-5	63	40	22	46	2,0	5	338,00 €
10 pcs. (1 packaging unit) JMB25-70S... or JMB25-70H... freely selectable quality							104,50 €
List price for this set							442,50 €

%% % % % % %
**Special price
 for this set**
219,- €

SET 2024-78

Article code	D	H	d	B	S	Z	List price
90PP-080-70-6	80	50	27	58	2,0	6	358,00 €
10 pcs. (1 packaging unit) JMB25-70S... or JMB25-70H... freely selectable quality							104,50 €
List price for this set							462,50 €

%% % % % % %
**Special price
 for this set**
239,- €









Jongen Werkzeugtechnik

%% %% %% %% %% %% %% %%
SPECIAL OFFER
TYPE B27



Products from  →  →  →  for  and the 

The special offer is valid till 28.02.2025, or while stocks last.
Only complete sets for sale, as indicated in this brochure and at market usual order quantities.

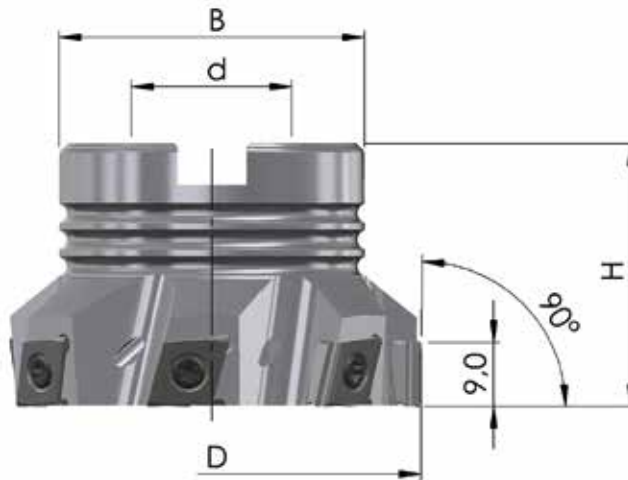
09/24

Jongen Werkzeugtechnik GmbH
Siemensring 11 · 47877 Willich · Germany
Phone: +49 2154 / 9285-2900 · Fax: +49 2154 / 9285-92900
www.jongen.de · Email: export@jongen.de





Tangential tools B27



SET 2024-79						
Article code	D	H	d	B	Z	List price
90PP-040-T09-5	40	40	16	38	5	264,00 €
20 pieces (1 packaging unit) JMB27-T09PR08... freely selectable quality						211,00 €
List price of this set						475,00 €

%%% %%% %
**Special price
 for this set**
239,- €

SET 2024-80						
Article code	D	H	d	B	Z	List price
90PP-050-T09-5	50	40	22	46	5	264,00 €
20 pieces (1 packaging unit) JMB27-T09PR08... freely selectable quality						211,00 €
List price of this set						475,00 €

%%% %%% %%% %
**Special price
 for this set**
239,- €

SET 2024-81						
Article code	D	H	d	B	Z	List price
90PP-063-T09-7	63	40	22	46	7	316,00 €
20 pieces (1 packaging unit) JMB27-T09PR08... freely selectable quality						211,00 €
List price of this set						527,00 €

%%% %%% %%% %
**Special price
 for this set**
249,- €





Jongen Werkzeugtechnik

%% %% %% %% %% %% %% %%
SPECIAL OFFER
TYPE B29



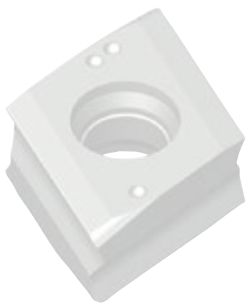
Products from  →  →  →  for  and the 

The special offer is valid till 28.02.2025, or while stocks last.
Only complete sets for sale, as indicated in this brochure and at market usual order quantities.

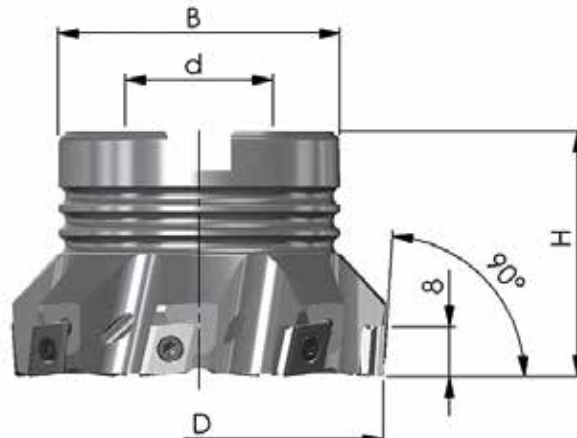
09/24

Jongen Werkzeugtechnik GmbH
Siemensring 11 · 47877 Willich · Germany
Phone: +49 2154 / 9285-2900 · Fax: +49 2154 / 9285-92900
www.jongen.de · Email: export@jongen.de





Tangential tools B29

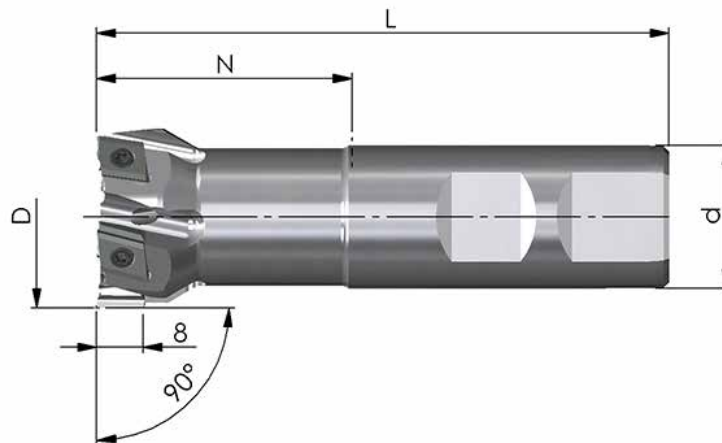


SET 2024-82						
Article code	D	H	d	B	Z	List price
90PP-040-B29-5	40	40	16	38	5	284,00 €
20 pieces (1 packaging unit) JMB29-T08PR06... freely selectable quality						205,00 €
List price of this set						489,00 €

%% % % % % %
**Special price
 for this set**
233,- €

SET 2024-83						
Article code	D	H	d	B	Z	List price
90PP-050-B29-6	50	40	22	46	6	304,00 €
20 pieces (1 packaging unit) JMB29-T08PR06... freely selectable quality						205,00 €
List price of this set						509,00 €

%% % % % % %
**Special price
 for this set**
243,- €



SET 2024-84						
Article code	D	N	L	d	Z	List price
90PP-25-44-25-B29-3	25	44	100	25	3	282,00 €
20 pieces (1 packaging unit) JMB29-T08PR06... freely selectable quality						205,00 €
List price of this set						487,00 €

%% % % % % %
**Special price
 for this set**
230,- €

SET 2024-85						
Article code	D	N	L	d	Z	List price
90PP-32-44-25-B29-4	32	44	100	25	4	310,00 €
20 pieces (1 packaging unit) JMB29-T08PR06... freely selectable quality						205,00 €
List price of this set						515,00 €

%% % % % % %
**Special price
 for this set**
236,- €



Jongen Werkzeugtechnik

SPECIAL OFFER
TYPE B33



Products from  →  →  →  for  and the 

The special offer is valid till 28.02.2025, or while stocks last.
Only complete sets for sale, as indicated in this brochure and at market usual order quantities.

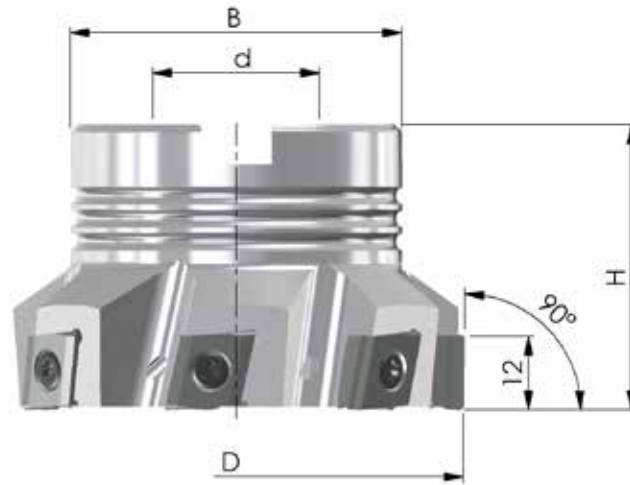
09/24

Jongen Werkzeugtechnik GmbH
Siemensring 11 · 47877 Willich · Germany
Phone: +49 2154 / 9285-2900 · Fax: +49 2154 / 9285-92900
www.jongen.de · Email: export@jongen.de





Tangential tools B33



SET 2024-86						
Article code	D	H	d	B	Z	List price
90PP-063-B33-5	63	50	22	46	5	316,00 €
10 pieces (1 packaging unit) JMB33-T12PR10... freely selectable quality						189,00 €
List price of this set						505,00 €

%% % % % % % %
**Special price
 for this set**
230,- €

SET 2024-87						
Article code	D	H	d	B	Z	List price
90PP-080-B33-7	80	50	27	58	7	393,00 €
10 pieces (1 packaging unit) JMB33-T12PR10... freely selectable quality						189,00 €
List price of this set						582,00 €

%% % % % % % %
**Special price
 for this set**
257,- €

