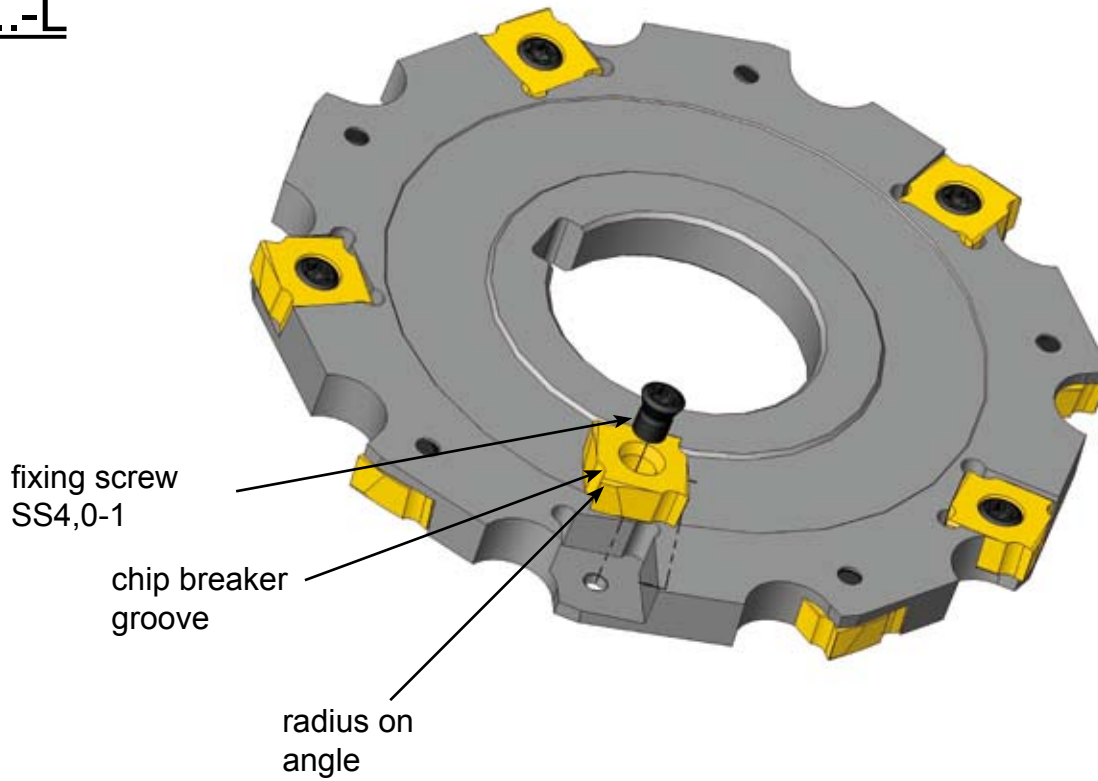


Inserts' fitting

Side Milling Cutters SF... and SFA...

FP 9..-L



FP 9..-R

