



Jongen Werkzeugtechnik

Special Offer MILLING TOOLS Autumn 2019



The special offer is valid till 28.02.2020, or while stocks last.
Only complete sets for sale, as indicated in this brochure and at market usual order quantities.

09/19-V2

Jongen Werkzeugtechnik GmbH

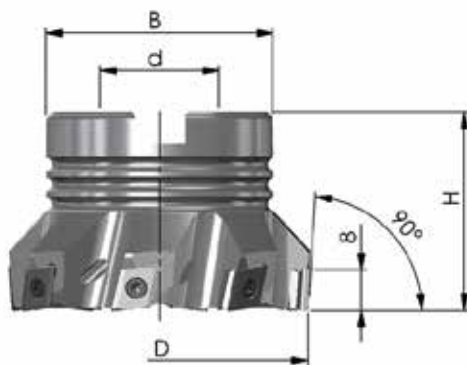
Siemensring 11 · 47877 Willich · Germany

Phone: +49 2154 / 9285-2900 · Fax: +49 2154 / 9285-92900


www.jongen.de · Email: export@jongen.de



TANGENTIAL TOOLS TYPE B29




SET 2019-45

Article Code	D	H	d	B	Z	
90PP-040-B29-5	40	40	16	38	5	227,00 €
20 pieces (1 packaging unit) JMB29-T08... freely selectable quality						294,00 €

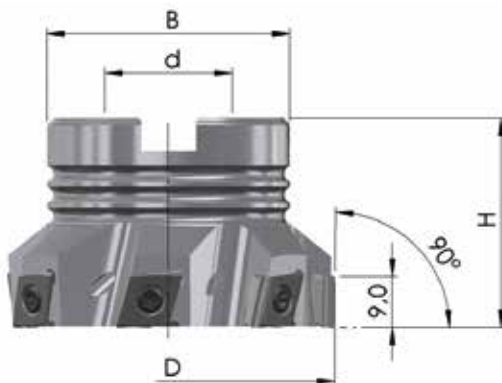
List price for the above indicated set: 521,00 € - Special price for this set: 347,00 €

SET 2019-46


Article Code	D	H	d	B	Z	
90PP-050-B29-6	50	40	22	46	6	243,00 €
20 pieces (1 packaging unit) JMB29-T08... freely selectable quality						294,00 €

List price for the above indicated set: 537,00 € - Special price for this set: 357,00 €

TANGENTIAL TOOLS TYPE B27




SET 2019-47

Article Code	D	H	d	B	Z	
90PP-050-T09-5	50	40	22	46	5	211,00 €
20 pieces (1 packaging unit) JMB27-T09.. freely selectable quality						357,00 €

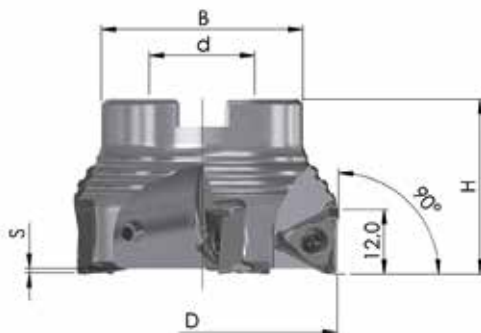
List price for the above indicated set: 568,00 € - Special price for this set: 393,00 €

SET 2019-48


Article Code	D	H	d	B	Z	
90PP-063-T09-7	63	40	22	46	7	252,00 €
20 pieces (1 packaging unit) JMB27-T09.. freely selectable quality						357,00 €

List price for the above indicated set: 609,00 € - Special price for this set: 406,00 €

STEP MILLING CUTTERS TYPE B31




SET 2019-49

Article Code	D	H	d	B	S	Z	
90PP-050-723-5	50	40	22	46	1,3	5	328,00 €
10 pieces (1 packaging unit) JMB31-723R08-... or JMB31-723R12-... freely selectable quality							194,50 €


List price for the above indicated set: 522,50 € - Special price for this set: 249,00 €

SET 2019-50

Article Code	D	H	d	B	S	Z	
90PP-063-723-5	63	40	22	46	1,3	5	339,00 €
10 pieces (1 packaging unit) JMB31-723R08-... or JMB31-723R12-... freely selectable quality							194,50 €

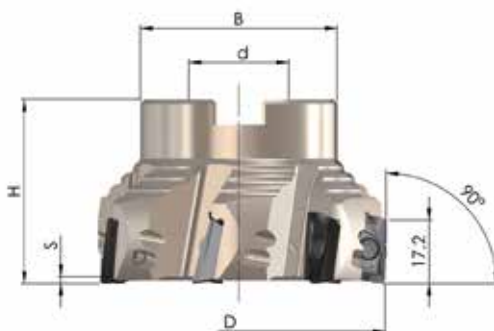
List price for the above indicated set: 533,50 € - Special price for this set: 251,00 €

SET 2019-51

Article Code	D	H	d	B	S	Z	
90PP-080-723-7	80	50	27	58	1,3	7	445,00 €
10 pieces (1 packaging unit) JMB31-723R08-... or JMB31-723R12-... freely selectable quality							194,50 €

List price for the above indicated set: 639,50 € - Special price for this set: 319,00 €

STEP MILLING CUTTERS TYPE B18

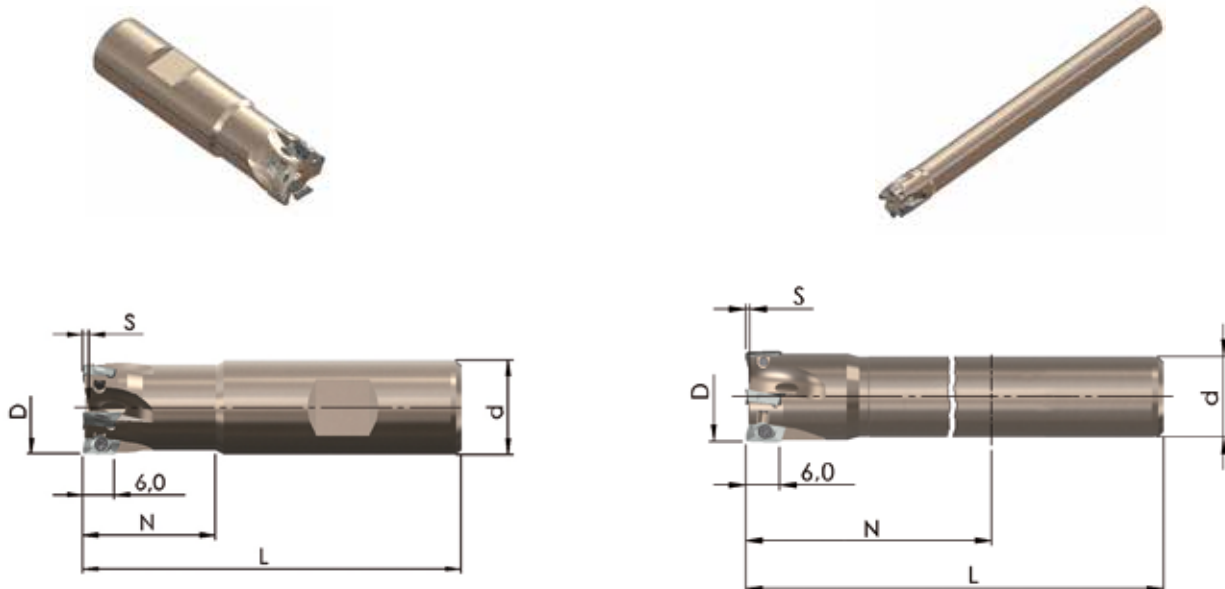


SET 2019-52

Article Code	D	H	d	B	S	Z	
90PP-063-49-5	63	40	22	46	1,8	5	311,00 €
90PP-080-49-7	80	50	27	58	1,8	7	407,00 €

List price for the above indicated set: 718,00 € - Special price for this set: 231,00 €

STEP MILLING CUTTERS TYPE B21



SET 2019-53

Article Code	D	L	d	N	S	Z	
90PP-10-15-63-2	10	55	10	16	0,9	2	144,00 €
90PP-14-24-63-3	14	70	12	24	0,9	3	160,00 €

List price for the above indicated set: 304,00 € - Special price for this set: 129,00 €

SET 2019-54

Article Code	D	L	d	N	S	Z	
90PP-12-18-63-2	12	58	10	18	0,9	2	146,00 €
90PP-16-22-63-3	16	70	16	22	0,9	3	164,00 €
90PP-20-30-63-4	20	80	20	30	1,9	4	204,00 €

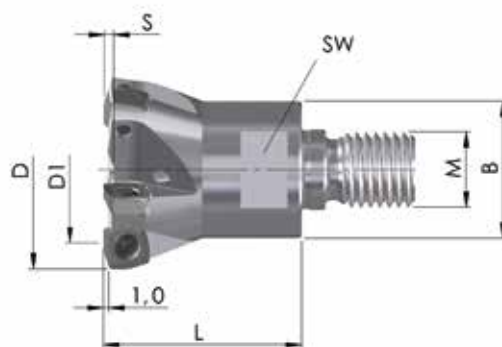
List price for the above indicated set: 514,00 € - Special price for this set: 192,00 €

SET 2019-55

Article Code	D	L	d	N	S	Z	
90PP-12-63-2-120	12	120	10	63	0,9	2	160,00 €
90PP-14-63-3-140	14	140	12	83	0,9	3	170,00 €
90PP-16-63-3-160	16	160	14	103	0,9	3	175,00 €

List price for the above indicated set: 505,00 € - Special price for this set: 195,00 €

HIGH FEED MILLING CUTTERS TYPE A17



SET 2019-56

Article Code	D	D ₁	L	M	B	SW	S	Z	
ESF-20-M10-09-2	20	10,0	32	M10	18	16	2,25	2	110,00 €
ESF-32-M16-09-4	32	22,0	42	M16	29	24	2,25	4	165,00 €

List price for the above indicated set: 275,00 € - Special price for this set: 121,00 €

SET 2019-57

Article Code	D	D ₁	L	M	B	SW	S	Z	
ESF-25-M12-09-3	25	15,0	32	M12	21	18	2,25	3	140,00 €
ESF-35-M16-09-4	35	25,0	42	M16	29	24	2,25	4	169,00 €

List price for the above indicated set: 309,00 € - Special price for this set: 126,00 €

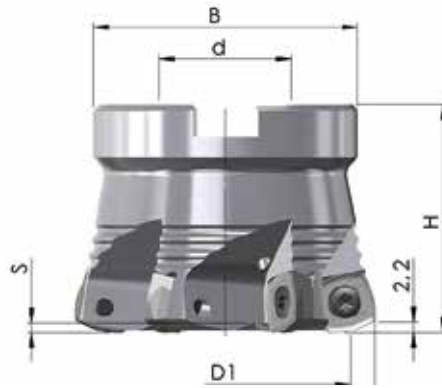


SET 2019-58

Article Code	D	D ₁	L	M	B	S	Z	
00PP-20-09-2-80	20	10,0	80	20	130	2,25	2	170,00 €
00PP-25-09-3-80	25	15,0	80	25	136	2,25	3	201,00 €
00PP-32-09-3-80	32	22,0	80	25	136	2,25	3	205,00 €

List price for the above indicated set: 576,00 € - Special price for this set: 251,00 €

HIGH FEED MILLING CUTTERS TYPE A18




SET 2019-59

Article Code	D	D ₁	H	d	B	S	Z	
00PP-050-12-5	50	34,6	40	22	46	2,25	5	233,00 €
00PP-063-12-5	63	47,6	50	27	58	2,25	5	242,00 €


List price for the above indicated set: 475,00 € - Special price for this set: 258,00 €

SET 2019-60

Article Code	D	D ₁	H	d	B	S	Z	
00PP-050-12-5	50	34,6	40	22	46	2,25	5	233,00 €
20 pieces (1 packaging unit) JMA18-12... freely selectable quality								246,00 €

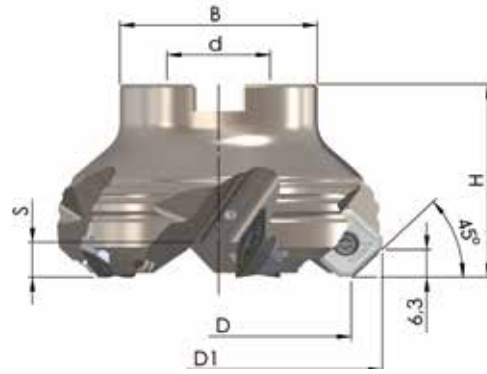
List price for the above indicated set: 479,00 € - Special price for this set: 265,00 €

SET 2019-61

Article Code	D	D ₁	H	d	B	S	Z	
00PP-063-12-5	63	47,6	50	27	58	2,25	5	242,00 €
20 pieces (1 packaging unit) JMA18-12... freely selectable quality								246,00 €

List price for the above indicated set: 488,00 € - Special price for this set: 269,00 €

FACE MILLING CUTTERS TYPE A13



SET 2019-62

Article Code	D	D ₁	H	d	B	S	Z	
45PP-063-140-5	63	76,6	45	22	46	6,3	5	424,00 €
10 pieces (1 packaging unit) JMA13-140../-240../-142../-242../-145../-245.. freely selectable quality								105,00 €

List price for the above indicated set: 529,00 € - Special price for this set: 289,00 €

SET 2019-63

Article Code	D	D ₁	H	d	B	S	Z	
45PP-080-140-6	80	93,6	50	27	58	6,3	6	514,00 €
10 pieces (1 packaging unit) JMA13-140../-240../-142../-242../-145../-245.. freely selectable quality								105,00 €

List price for the above indicated set: 619,00 € - Special price for this set: 321,00 €

NOTES

