



**Jongen Werkzeugtechnik**

**Special Offer  
DRILLING TOOLS  
Autumn 2019**



The special offer is valid till 28.02.2020, or while stocks last.  
Only complete sets for sale, as indicated in this brochure and at market usual order quantities.

09/19

**Jongen Werkzeugtechnik GmbH**

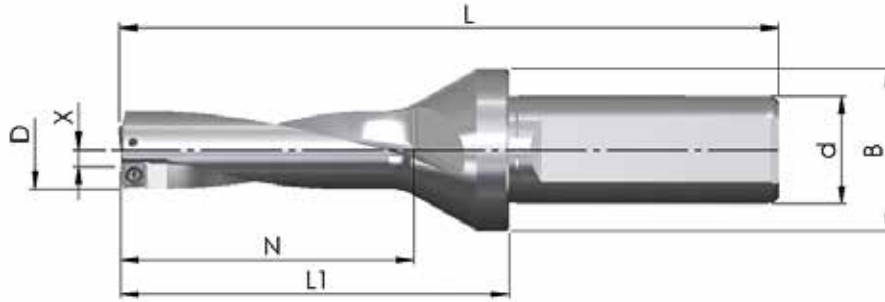
Siemensring 11 · 47877 Willich · Germany

Phone: +49 2154 / 9285-2900 · Fax: +49 2154 / 9285-92900

www.jongen.de · Email: export@jongen.de



## SET 2019-31 - 3xD DRILLING TOOL TYPE D01

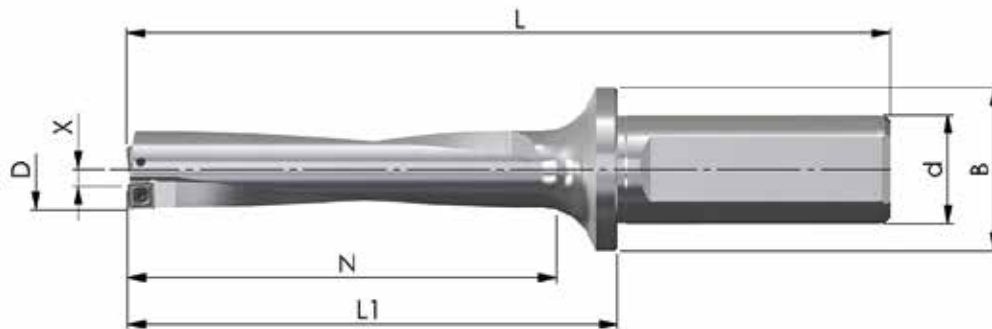


Article Code	D	N	L <sub>1</sub>	L	d <sub>h6</sub>	B	Z	X max.	List prices
BW-14-42-20-04	14,0	42,0	69	119	20	30	1+1	0,25	211,00 €
BW-14,5-45-20-04	14,5	45,0	72	122	20	30	1+1	0,25	211,00 €
BW-15-45-20-04	15,0	45,0	72	122	20	30	1+1	0,25	211,00 €
BW-15,5-48-20-04	15,5	48,0	75	125	20	30	1+1	0,25	211,00 €
BW-16-48-20-04	16,0	48,0	75	125	20	30	1+1	0,25	211,00 €
10 pieces (1 packaging unit) JDD01-04T2R04-... or JDD01-0402R04-... freely selectable quality									78,50 €

List price: 289,50 €

Special price for ONE of the above listed drills with 1 packaging unit drilling inserts: 154,00 €

## SET 2019-32 - 5xD DRILLING TOOL TYPE D01

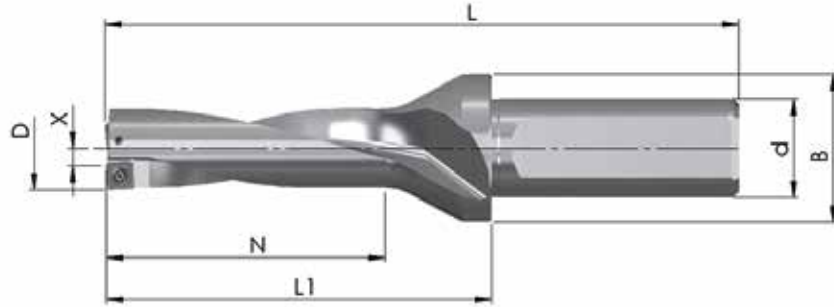


Article Code	D	N	L <sub>1</sub>	L	d <sub>h6</sub>	B	Z	X max.	List prices
BW-14-70-20-04	14,0	70,0	85,0	135,0	20	30	1+1	0,25	274,00 €
BW-14,5-75-20-04	14,5	75,0	87,5	137,5	20	30	1+1	0,25	274,00 €
BW-15-75-20-04	15,0	75,0	90,0	140,0	20	30	1+1	0,25	274,00 €
BW-15,5-80-20-04	15,5	80,0	92,5	142,5	20	30	1+1	0,25	274,00 €
BW-16-80-20-04	16,0	80,0	95,0	145,0	20	30	1+1	0,25	274,00 €
BW-16,5-85-20-04	16,5	85,0	97,5	147,5	20	30	1+1	0,25	274,00 €
10 pieces (1 packaging unit) JDD01-04T2R04-... or JDD01-0402R04-... freely selectable quality									78,50 €

List price: 352,50 €

Special price for ONE of the above listed drills with 1 packaging unit drilling inserts: 189,00 €

## SET 2019-33 - 3xD DRILLING TOOL TYPE D02

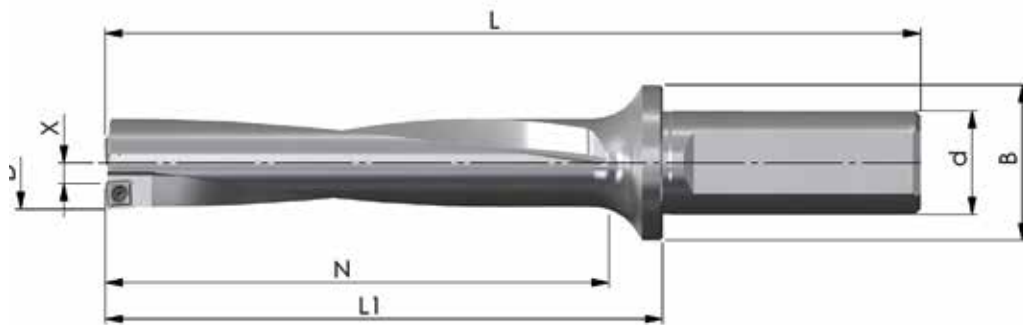


Article Code	D	N	L <sub>1</sub>	L	d <sub>h6</sub>	B	Z	X max.	List prices
BW-16,5-51-20-05	16,5	51,0	78	128	20	30	1+1	0,40	211,00 €
BW-17-51-20-05	17,0	51,0	78	128	20	30	1+1	0,40	211,00 €
BW-17,5-54-20-05	17,5	54,0	81	131	20	30	1+1	0,40	211,00 €
BW-18-54-20-05	18,0	54,0	81	131	20	30	1+1	0,40	211,00 €
10 pieces (1 packaging unit) JDD02-05T2R04-... or JDD02-0502R04-... freely selectable quality									81,00 €

List price: 292,00 €

Special price for ONE of the above listed drills with 1 packaging unit drilling inserts: 159,00 €

## SET 2019-34 - 5xD DRILLING TOOL TYPE D02

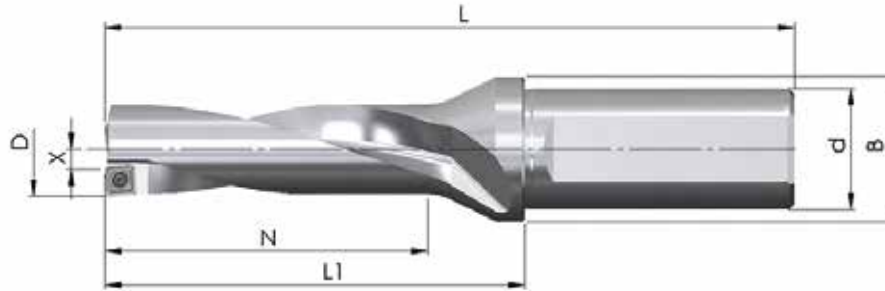


Article Code	D	N	L <sub>1</sub>	L	d <sub>h6</sub>	B	Z	X max.	List prices
BW-17-85-20-05	17,0	85,0	103,0	153,0	20	30	1+1	0,40	274,00 €
BW-17,5-90-20-05	17,5	90,0	105,5	155,5	20	30	1+1	0,40	274,00 €
BW-18-90-20-05	18,0	90,0	108,0	158,0	20	30	1+1	0,40	274,00 €
BW-18,5-90-25-05	18,5	90,0	109,0	165,0	20	30	1+1	0,40	274,00 €
10 pieces (1 packaging unit) JDD02-05T2R04-... or JDD02-0502R04-... freely selectable quality									81,00 €

List price: 355,00 €

Special price for ONE of the above listed drills with 1 packaging unit drilling inserts: 199,00 €

## SET 2019-35 - 3xD DRILLING TOOL TYPE D03



Article Code	D	N	L <sub>1</sub>	L	d <sub>h6</sub>	B	Z	X max.	List prices
BW-18,5-57-25-06	18,5	57,0	84	140	25	30	1+1	0,5	211,00 €
BW-19-57-25-06	19,0	57,0	84	140	25	30	1+1	0,5	211,00 €
BW-19,5-60-25-06	19,5	60,0	87	143	25	30	1+1	0,5	211,00 €
BW-20-60-25-06	20,0	60,0	87	143	25	30	1+1	0,5	239,00 €
BW-20,5-63-25-06	20,5	63,0	90	146	25	30	1+1	0,5	239,00 €
10 pieces (1 packaging unit) JDD03-06T2R06-... or JDD03-0602R06-... freely selectable quality									84,50 €

List price: 323,50 €

Special price for ONE of the above listed drills with 1 packaging unit drilling inserts: 169,00 €

## SET 2019-36 - 5xD DRILLING TOOL TYPE D03

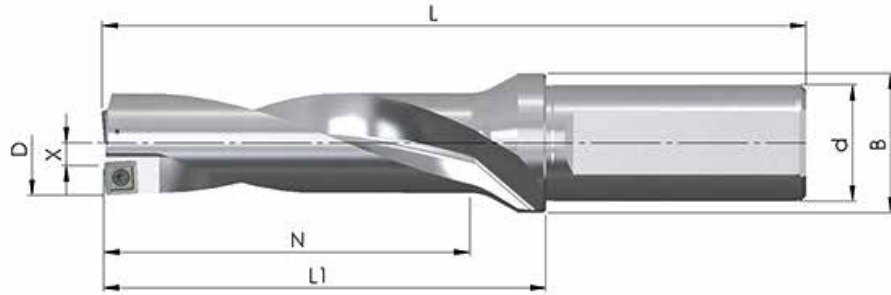


Article Code	D	N	L <sub>1</sub>	L	d <sub>h6</sub>	B	Z	X max.	List prices
BW-19-95-25-06	19,0	95,0	111,5	167,5	25	30	1+1	0,5	274,00 €
BW-19,5-100-25-06	19,5	100,0	114,0	170,0	25	30	1+1	0,5	274,00 €
BW-20-100-25-06	20,0	100,0	116,5	172,5	25	30	1+1	0,5	311,00 €
BW-20,5-105-25-06	20,5	105,0	119,0	175,0	25	30	1+1	0,5	311,00 €
BW-21-105-25-06	21,0	105,0	121,5	177,5	25	30	1+1	0,5	311,00 €
10 pieces (1 packaging unit) JDD03-06T2R06-... or JDD03-0602R06-... freely selectable quality									84,50 €

List price: 395,50 €

Special price for ONE of the above listed drills with 1 packaging unit drilling inserts: 209,00 €

## SET 2019-37 - 3xD DRILLING TOOL TYPE D04

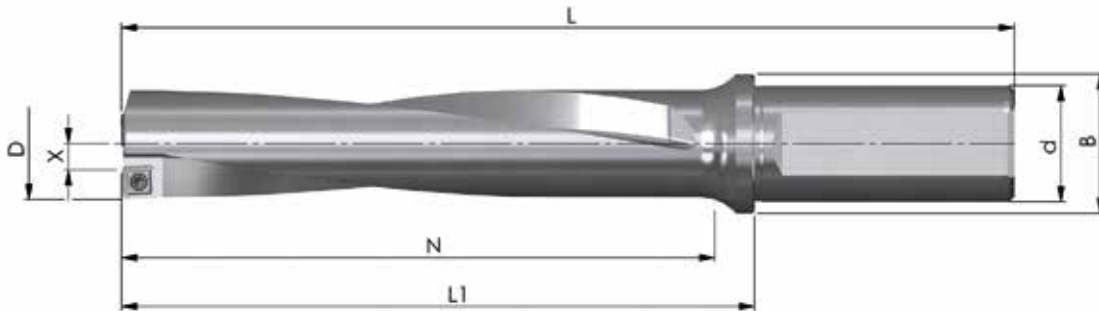


Article Code	D	N	L <sub>1</sub>	L	d <sub>h6</sub>	B	Z	X max.	List prices
BW-21-63-25-07	21,0	63,0	90	146	25	30	1+1	0,5	239,00 €
BW-21,5-63-25-07	21,5	63,0	90	146	25	30	1+1	0,5	239,00 €
BW-22-66-25-07	22,0	66,0	92	148	25	30	1+1	0,5	239,00 €
BW-22,5-69-25-07	22,5	69,0	95	151	25	30	1+1	0,5	239,00 €
BW-23-69-25-07	23,0	69,0	95	151	25	30	1+1	0,5	239,00 €
BW-23,5-72-25-07	23,5	72,0	98	154	25	30	1+1	0,5	239,00 €
BW-24-72-25-07	24,0	72,0	98	154	25	30	1+1	0,5	239,00 €
10 pieces (1 packaging unit) JDD04-07T2R06-... or JDD04-0702R06-... freely selectable quality									85,50 €

List price: **324,50 €**

Special price for ONE of the above listed drills with 1 packaging unit drilling inserts: **179,00 €**

## SET 2019-38 - 3xD DRILLING TOOL TYPE D04

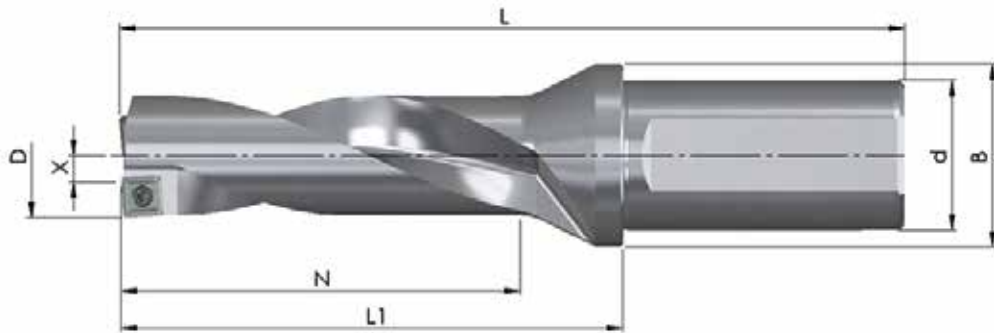


Article Code	D	N	L <sub>1</sub>	L	d <sub>h6</sub>	B	Z	X max.	List prices
BW-21,5-110-25-07	21,5	110,0	124,0	180,0	25	30	1+1	0,5	311,00 €
BW-22-110-25-07	22,0	110,0	126,5	182,5	25	30	1+1	0,5	311,00 €
BW-22,5-115-25-07	22,5	115,0	129,0	185,0	25	30	1+1	0,5	311,00 €
BW-23-115-25-07	23,0	115,0	131,5	187,5	25	30	1+1	0,5	311,00 €
BW-23,5-118-25-07	23,5	118,0	134,0	190,0	25	30	1+1	0,5	311,00 €
BW-24-120-25-07	24,0	120,0	136,5	192,5	25	30	1+1	0,5	311,00 €
BW-24,5-125-32-07	24,5	125,0	140,5	200,5	25	30	1+1	0,5	311,00 €
BW-25-125-32-07	25,0	125,0	143,0	203,0	25	30	1+1	0,5	330,00 €
BW-25,5-130-32-07	25,5	130,0	145,5	205,5	25	30	1+1	0,5	330,00 €
10 pieces (1 packaging unit) JDD04-07T2R06-... or JDD04-0702R06-... freely selectable quality									85,50 €

List price: **415,50 €**

Special price for ONE of the above listed drills with 1 packaging unit drilling inserts: **219,00 €**

## SET 2019-39 - 3xD DRILLING TOOL TYPE D05

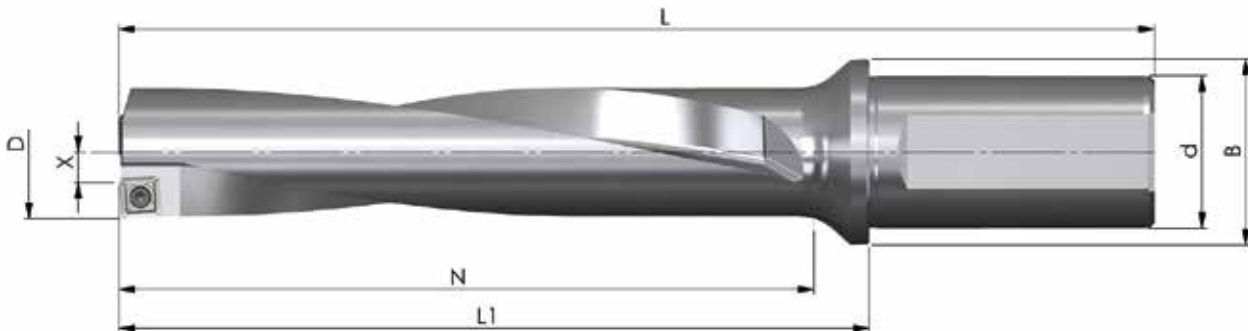


Article Code	D	N	L <sub>1</sub>	L	d <sub>h6</sub>	B	Z	X max.	List prices
BW-24,5-75-32-08	24,5	75,0	101	161	32	39	1+1	0,5	239,00 €
BW-25-75-32-08	25,0	75,0	101	161	32	39	1+1	0,5	254,00 €
BW-25,5-78-32-08	25,5	78,0	104	164	32	39	1+1	0,5	254,00 €
BW-26-78-32-08	26,0	78,0	104	164	32	39	1+1	0,5	254,00 €
BW-26,5-81-32-08	26,5	81,0	107	167	32	39	1+1	0,5	254,00 €
BW-27-81-32-08	27,0	81,0	107	167	32	39	1+1	0,5	254,00 €
BW-27,5-81-32-08	27,5	81,0	110	170	32	39	1+1	0,5	254,00 €
BW-28-84-32-08	28,0	84,0	110	170	32	39	1+1	0,5	254,00 €
BW-28,5-87-32-08	28,5	87,0	110	170	32	39	1+1	0,5	254,00 €
10 pieces (1 packaging unit) JDD05-08T3R08-... or JDD05-0803R08-... freely selectable quality									91,00 €

List price: 345,00 €

Special price for ONE of the above listed drills with 1 packaging unit drilling inserts: 189,00 €

## SET 2019-40 - 5xD DRILLING TOOL TYPE D05

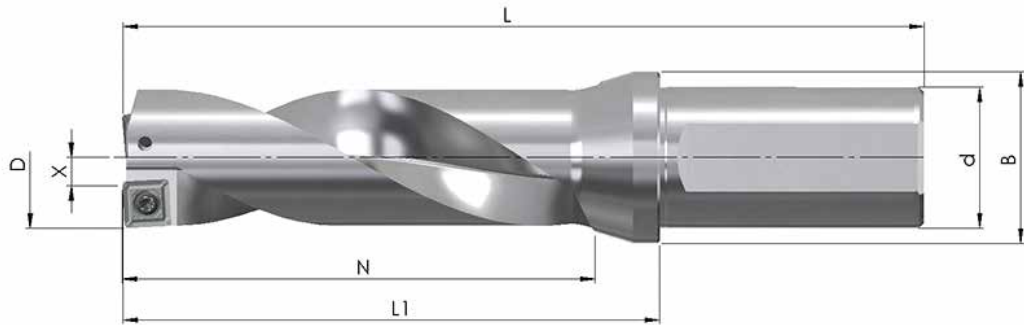


Article Code	D	N	L <sub>1</sub>	L	d <sub>h6</sub>	B	Z	X max.	List prices
BW-26-130-32-08	26,0	130,0	148,0	208,0	25	30	1+1	0,5	330,00 €
BW-26,5-135-32-08	26,5	135,0	150,5	210,5	25	30	1+1	0,5	330,00 €
BW-27-135-32-08	27,0	135,0	153,0	213,0	25	30	1+1	0,5	330,00 €
BW-28-140-32-08	28,0	140,0	158,0	218,0	25	30	1+1	0,5	330,00 €
BW-29-145-32-08	29,0	145,0	163,0	223,0	25	30	1+1	0,5	330,00 €
BW-30-150-32-08	30,0	150,0	168,0	228,0	25	30	1+1	0,5	330,00 €
10 pieces (1 packaging unit) JDD05-08T3R08-... or JDD05-0803R08-... freely selectable quality									91,00 €

List price: 421,00 €

Special price for ONE of the above listed drills with 1 packaging unit drilling inserts: 229,00 €

## SET 2019-41 - 3xD DRILLING TOOL TYPE D06

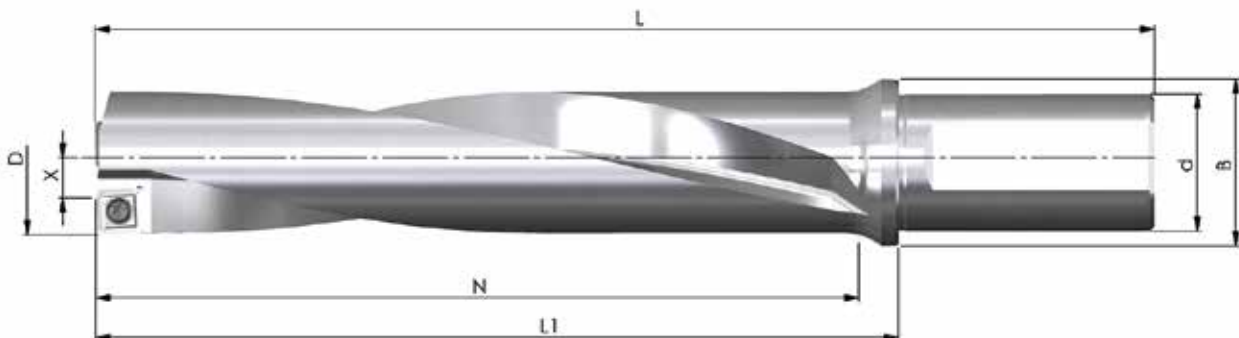


Article Code	D	N	L <sub>1</sub>	L	d <sub>h6</sub>	B	Z	X max.	List prices
BW-29-87-32-10	29,0	87,0	113	173	32	39	1+1	0,5	254,00 €
BW-29,5-87-32-10	29,5	87,0	113	173	32	39	1+1	0,5	254,00 €
BW-30-90-32-10	30,0	90,0	116	176	32	39	1+1	0,5	254,00 €
BW-31-93-32-10	31,0	93,0	119	179	32	39	1+1	0,5	254,00 €
BW-32-96-32-10	32,0	96,0	122	182	32	39	1+1	0,5	254,00 €
BW-33-99-32-10	33,0	99,0	125	185	32	39	1+1	0,5	254,00 €
BW-34-102-32-10	34,0	102,0	128	188	32	39	1+1	0,5	254,00 €
10 pieces (1 packaging unit) JDD06-10T4R08-... or JDD06-1004R08-... freely selectable quality									104,50 €

List price: 358,50 €

Special price for ONE of the above listed drills with 1 packaging unit drilling inserts: 199,00 €

## SET 2019-42 - 5xD DRILLING TOOL TYPE D06



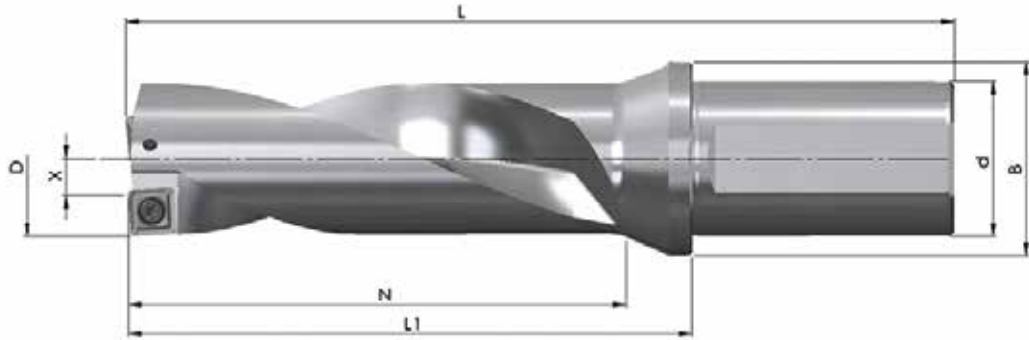
Article Code	D	N	L <sub>1</sub>	L	d <sub>h6</sub>	B	Z	X max.	List prices
BW-31-155-32-10	31,0	155,0	173,0	233,0	32	39	1+1	0,5	330,00 €
BW-32-160-32-10	32,0	160,0	178,0	238,0	32	39	1+1	0,5	330,00 €
BW-33-165-32-10	33,0	165,0	183,0	243,0	32	39	1+1	0,5	330,00 €
BW-34-170-32-10	34,0	170,0	188,0	248,0	32	39	1+1	0,5	330,00 €
BW-35-175-40-10	35,0	175,0	193,0	261,0	40	50	1+1	0,5	330,00 €
BW-36-180-40-10	36,0	180,0	198,0	266,0	40	50	1+1	0,5	330,00 €
BW-37-185-40-10	37,0	185,0	203,0	271,0	40	50	1+1	0,5	385,00 €
10 pieces (1 packaging unit) JDD06-10T4R08-... or JDD06-1004R08-... freely selectable quality									104,50 €

List price: 489,50 €

Special price for ONE of the above listed drills with 1 packaging unit drilling inserts: 259,00 €



## SET 2019-43 - 3xD DRILLING TOOL TYPE D07

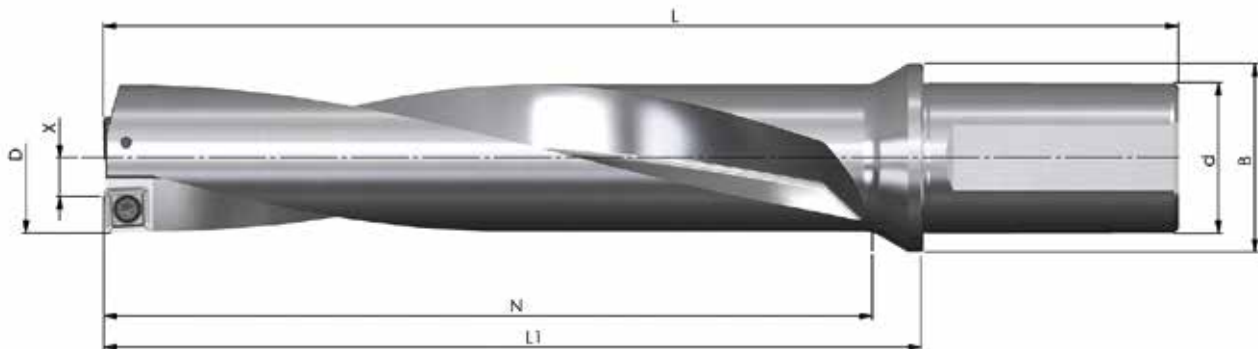


Article Code	D	N	L <sub>1</sub>	L	d <sub>h6</sub>	B	Z	X max.	List prices
BW-35-105-40-12	35,0	105,0	131	199	40	50	1+1	0,5	254,00 €
BW-36-108-40-12	36,0	108,0	134	202	40	50	1+1	0,5	254,00 €
BW-37-111-40-12	37,0	111,0	137	205	40	50	1+1	0,5	296,00 €
BW-38-114-40-12	38,0	114,0	140	208	40	50	1+1	0,5	296,00 €
BW-39-117-40-12	39,0	117,0	143	211	40	50	1+1	0,5	296,00 €
BW-40-120-40-12	40,0	120,0	146	214	40	50	1+1	0,5	296,00 €
BW-41-123-40-12	41,0	123,0	149	217	40	50	1+1	0,5	296,00 €
BW-42-126-40-12	42,0	126,0	152	220	40	50	1+1	0,5	296,00 €
BW-43-129-40-12	43,0	129,0	155	223	40	50	1+1	0,5	296,00 €
BW-44-132-40-12	44,0	132,0	158	226	40	50	1+1	0,5	296,00 €
10 pieces (1 packaging unit) JDD07-12T5R08-... or JDD07-1205R08-... freely selectable quality									113,00 €

List price: 409,00 €

Special price for ONE of the above listed drills with 1 packaging unit drilling inserts: 249,00 €

## SET 2019-44 - 5xD DRILLING TOOL TYPE D07



Article Code	D	N	L <sub>1</sub>	L	d <sub>h6</sub>	B	Z	X max.	List prices
BW-38-190-40-12	38,0	190,0	208,0	276,0	40	50	1+1	0,5	385,00 €
BW-39-195-40-12	39,0	195,0	213,0	281,0	40	50	1+1	0,5	385,00 €
BW-40-200-40-12	40,0	200,0	218,0	286,0	40	50	1+1	0,5	385,00 €
BW-41-205-40-12	41,0	205,0	223,0	291,0	40	50	1+1	0,5	385,00 €
BW-42-210-40-12	42,0	210,0	228,0	296,0	40	50	1+1	0,5	385,00 €
BW-43-215-40-12	43,0	215,0	233,0	301,0	40	50	1+1	0,5	385,00 €
BW-44-220-40-12	44,0	220,0	238,0	306,0	40	50	1+1	0,5	385,00 €
10 pieces (1 packaging unit) JDD07-12T5R08-... or JDD07-1205R08-... freely selectable quality									113,00 €

List price: 498,00 €

Special price for ONE of the above listed drills with 1 packaging unit drilling inserts: 299,00 €