



Jongen Werkzeugtechnik

SPECIAL OFFER MILLING TOOL SETS STEP MILL TYPE B32



Products from



Willich



North-Rhine
Westphalia



Germany



Europe

for



Europe

and the



The special offer is valid till 31.08.2021, or while stocks last.
Only complete sets for sale, as indicated in this brochure and at market usual order quantities.

03/21

Jongen Werkzeugtechnik GmbH

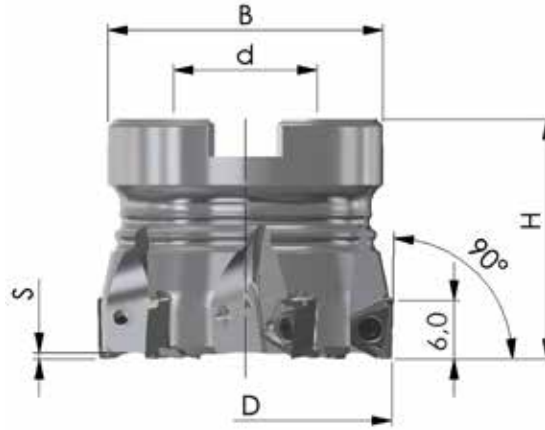
Siemensring 11 · 47877 Willich · Germany

Phone: +49 2154 / 9285-2900 · Fax: +49 2154 / 9285-92900

www.jongen.de · Email: export@jongen.de



STEP MILLING CUTTERS TYPE B32



SET 2021-1

Article Code	D	H	dH6	B	S	Z	
90PP-040-B32-4	40	40	16	38	1,0	4	328,00 €
10 pieces (1 packaging unit) JMB32-713HR05 or JMB32-713SR05... freely selectable quality							168,00 €

List price: 496,00 € - Special price for this set: **250,00 €**

SET 2021-2

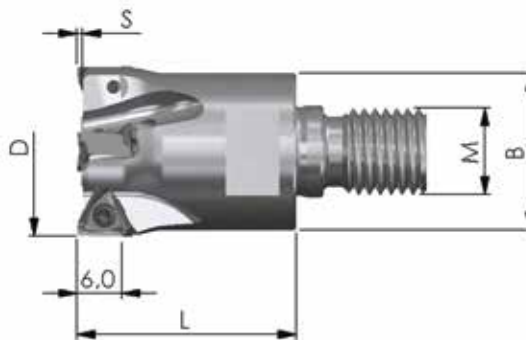
Article Code	D	H	dH6	B	S	Z	
90PP-050-B32-5	50	40	22	46	1,0	5	331,00 €
10 pieces (1 packaging unit) JMB32-713HR05 or JMB32-713SR05... freely selectable quality							168,00 €

List price: 499,00 € - Special price for this set: **262,00 €**

SET 2021-3

Article Code	D	H	dH6	B	S	Z	
90PP-063-B32-5	63	40	22	46	1,0	5	335,00 €
10 pieces (1 packaging unit) JMB32-713HR05 or JMB32-713SR05... freely selectable quality							168,00 €

List price: 503,00 € - Special price for this set: **268,00 €**



SET 2021-4 (WITHOUT inserts)

Article Code	D	L	M	B	SW	S	Z	
ESF-25-M12-B32-2	25	36	M12	21	18	1,0	2	169,00 €
ESF-32-M16-B32-3	32	40	M16	29	24	1,0	3	194,00 €

List price: 363,00 € - Special price for this set: **181,00 €**

SET 2021-5 (WITHOUT inserts)

Article Code	D	L	M	B	SW	S	Z	
ESF-25-M12-B32-3	25	36	M12	21	18	1,0	3	189,00 €
ESF-32-M16-B32-4	32	40	M16	29	24	1,0	4	219,00 €

List price: 408,00 € - Special price for this set: **204,00 €**